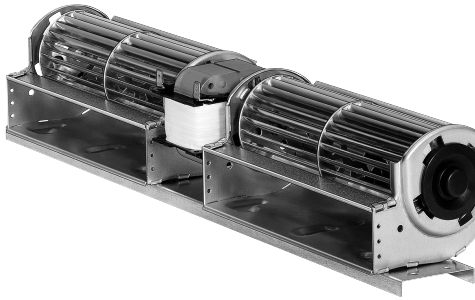


QLZ06/1818-3030

AC tangential blower

forward-curved



ebm-papst Landshut GmbH

Hofmark-Aich-Straße 25

D-84030 Landshut

Phone +49 (0) 871 707-0

Fax +49 (0) 871 707-465

info3@de.ebmpapst.com

www.ebmpapst.com

Nominal data

| Type | QLZ06/1818-3030 | |
|--------------------------|-------------------|------|
| Phase | | 1~ |
| Nominal voltage | VAC | 230 |
| Frequency | Hz | 50 |
| Speed | min ⁻¹ | 1550 |
| Power consumption | W | 45 |
| Current draw | A | 0.4 |
| Min. ambient temperature | °C | 0 |
| Max. ambient temperature | °C | 60 |
| Air flow | m ³ /h | 250 |
| Pressure increase | Pa | 52 |

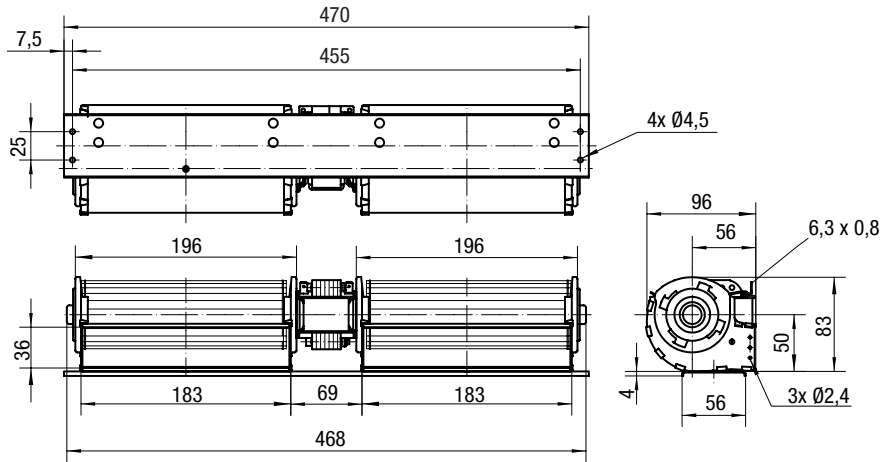
ml = Max. load · me = Max. efficiency · fa = Free air · cs = Customer specification · ce = Customer equipment
Subject to change



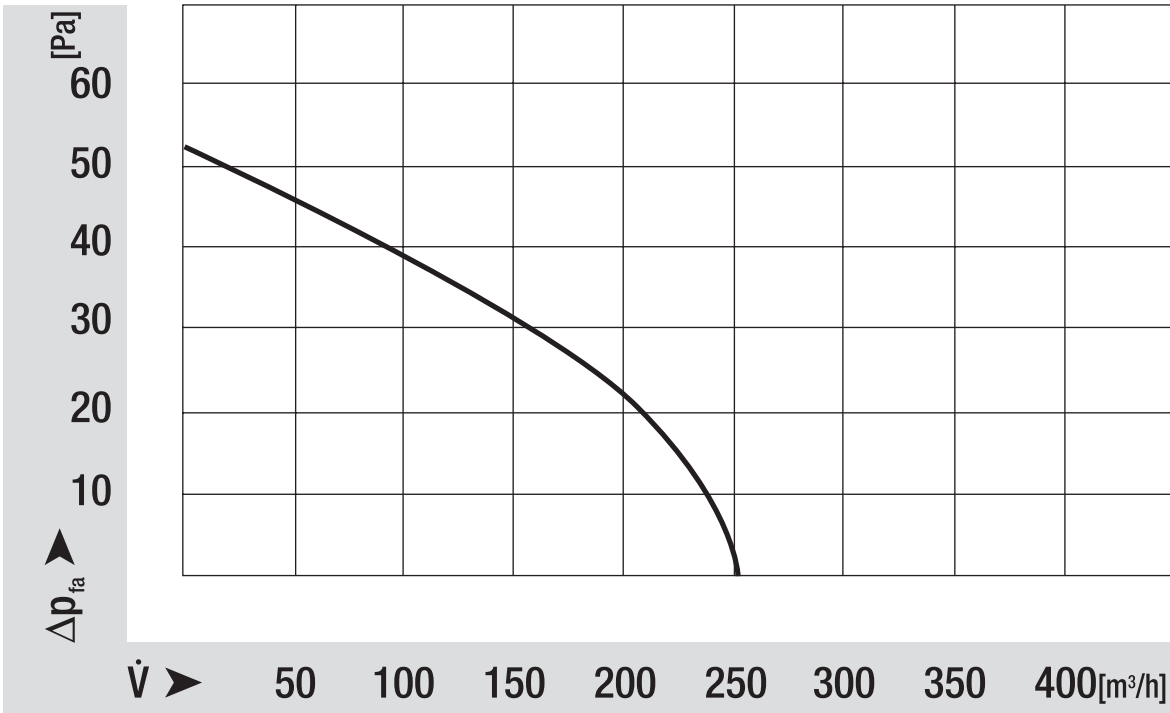
Technical description

| | |
|------------------------------|-----------------------------|
| Weight | 2.00 kg |
| Dimensions | 60 mm |
| Insulation class | B on request also F or H |
| Installation position | Horizontal |
| Cable | Flat plug 6.3 x 0.8 |

Product drawing



Curves: Air performance



Curves: Speed

